

Safety & Dangers



DANGER!

Improper handling of mains cable can cause an electric shock hazard, other serious injuries or damage to the cart.



WARNING!

Unplug cart from wall before moving to prevent damage to power supply. Moving cart before unplugging is hazardous.



WARNING!

Keep RDP coiled cable connected to cart at all times.



WARNING!

Inappropriate handling of the power supply cord, e.g. by kinking, shearing or other mechanical damage is hazardous!



WARNING!

To avoid risk of electric shock, this equipment must only be connected to a supply mains with protective earth.



WARNING!

No modification of this equipment is allowed.



Safety Instructions



WARNING!

Important safety instructions. It is important for the safety of persons to follow these instructions. Please save these instructions.

Follow the instructions carefully.

- Any non-observance of this manual may lead to injuries or damage of property.
- Only use the cart if it is in perfect working order.
- Check the cart functions daily or at each shift change.
- Check the cart for any damage especially to power supply cables.

Regularly inspect power cables

- It's crucial to routinely inspect your cart's power cable for any signs of wear. Damaged or cracked cables that expose internal wires pose serious safety risks. Power cables should be checked before each use, and any cart with a damaged cable should be taken out of service immediately.
- Cable damage can develop over time, particularly with frequent plugging, unplugging, and movement of the cart. Although RDP power cables are designed with strain reliefs for added durability, all cables will experience wear over time.

To extend the lifespan of your cables:

- Properly store cables when not in use.
- Avoid pulling or stretching them beyond their intended length (2.75 meters if coiled).

Following these guidelines will help ensure both the safety and longevity of your medical cart's power cable.

- Use the cart exclusively in its original condition.
- Use the cart exclusively with the correct mains supply and RDP supplied coiled cable.
- Ensure that the cart is exclusively operated by qualified personnel.
- Move the cart exclusively on even, hard-surfaced floors.
- Report any damaged parts immediately.
- Ensure that maintenance and installation are performed exclusively by qualified personnel who have been trained by the manufacturer.

Safety Instructions



WARNING!

Important safety instructions. It is important for the safety of persons to follow these instructions. Please save these instructions.

Follow the instructions carefully.

- Do not apply excess weight or loads to the cart according to SWL (Safe Working Load).
- Take care to avoid crushing when operating moving parts.
- Ensure that the castors are braked when the cart is stationary.
- Never use the cart in areas where there is a hazard of explosion.
- Never handle the mains plug with wet hands.
- Detach the mains cable exclusively by removing the plug at the wall socket.
- Position the mains cable so that there are no kinks or bends in the cable; protect the cable from mechanical wear and tear.
- Improper handling of mains cable can cause an electric shock hazard, other serious injuries or damage the cart.
- Ensure that the moving parts of the cart are not blocked.
- To prevent failures, use exclusively the manufacturer's original accessories and power cable.
- Manual positioning of parts of the cart which are designed for electronic positioning (e.g. height adjustment) is forbidden. Failure to comply could increase the risk of damaging and dysfunction of the actuator or unprompted fall of the worksurface.
- Always disconnect the cart from the mains power supply before performing maintenance or cleaning.
- Examine the cart frequently for signs of wear or damage.



Safety Instructions

Follow the instructions carefully.

WARNING: This Cart is Powered by a Lithium Iron Phosphate (LiFePO₄) Battery

- Our batteries feature the following safety measures:
- Super-safe LiFePO₄ chemistry: Minimizes risk of explosion or combustion due to high impact, overcharging, or short circuit condition.
- Battery Management System (BMS): Regulates battery parameters to ensure safety, preventing overcharging and over-discharging.
- Cell Balancing: BMS multi-function design balances the battery cells optimising battery performance

Important Safety Information:

- Risk of fire, explosion, and severe burns:
- Recommended storage temperature: 25°C; working temperature: -25°C to 40°C.
- Do not disassemble, crush, or puncture the battery.
- Do not short-circuit the battery terminals.
- Do not expose the battery to fire, heat, or direct sunlight.

Proper Handling and Use:

- Avoid physical damage (e.g., dropping the battery).
- Do not immerse the battery in water or liquids.
- Never attempt to open or service the battery.



Charging Instructions:

- Do not leave the battery in a discharged state. Recharge regularly to maintain performance and battery life.
- Perform charge/discharge checks at least every six months if unused for extended periods.
- Disconnect the cart from the mains output once fully charged.

Disposal and Recycling:

- Dispose of the battery according to local regulations.
- Do not incinerate or dispose of in fire.
- Recycle through authorised facilities.



Conditions of Use

The cart may not be used and stored in the following indoor environments:

- Where there is a risk of explosion.
- Containing inflammable anaesthetics.



The cart is designed for use in wards and rooms for medical purposes. Electrical installations must therefore meet local standards laying down the necessary conditions for electrical installations.

- Disconnect the cart from the mains in exceptional cases (i.e. earthquake, lightning).

Correct Use



DANGER!

Risk of injury or death due to incorrect use of equipment!

Always conduct the risk assessments required for the selection of suitable equipment.

RDP carts are mobile IT workstations. The stable base with 4 castors makes it possible for the cart to be controlled by one person.

Personnel

- Qualified medical staff
- Any person familiar with the manual

Use

- Standard care
- Critical care
- Uninterrupted operation



Incorrect Use

RDP carts are not suitable for:

- Patients
- Homecare
- Use not fulfilling conditions stated above
- Use other than described in this manual



RDP's efforts in research, design and manufacture ensure products are of the highest quality and fit for their intended purpose. However, RDP can take no responsibility for any damage to the products or any harm to patients, staff or other individuals resulting from:

- Not following the instructions in the manual, including warning notices.
- Using the product for a purpose other than the intended purpose stated in the relevant documentation provided by RDP (see Correct Use).

Scope of Delivery

Delivery:

- Upon receipt, check that the shipment is complete as specified on the delivery note.
- Notify the carrier and supplier of any deficiencies or damages immediately as well as in writing or make a note on the delivery note.



WARNING!

Damage to the cart due to incorrect use!

Use 75mm/100 mm castors exclusively on flat, even surfaces without any gaps.



Maintenance



WARNING!

A defective cart can cause injuries!

- Have a defective cart repaired immediately.
- If the defect cannot be repaired, do not use the cart.



WARNING!

Incorrect maintenance can damage the cart!

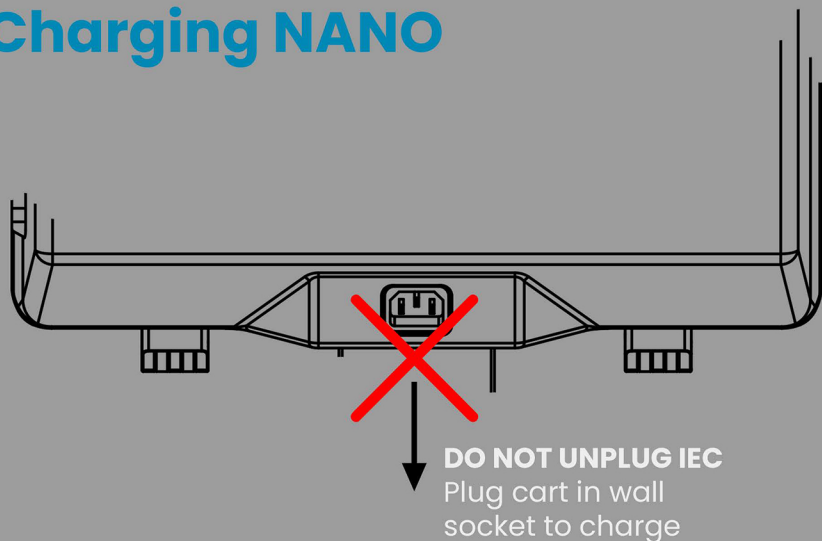
- Remove a defective cart from service and contact us to have the defective cart repaired.

Warranty

This product is covered by a 5 year warranty from the date of delivery. The warranty covers all material and manufacturing-related failures and errors. Failures and errors caused by incorrect use and external effects are not covered. Justified complaints will be fixed free of charge during the warranty period. Proof of purchase, with the date of purchase, is required for all warranty service. Our standard terms and conditions apply.



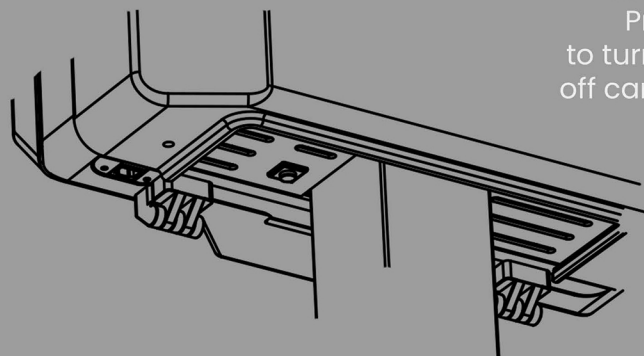
Charging NANO



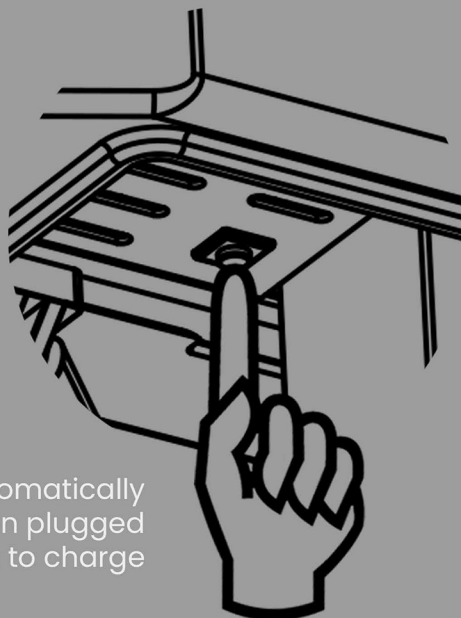
	CAUTION
	UNPLUG CART FROM WALL BEFORE MOVING
DANGER!	
	Improper handling of mains cable can cause an electric shock hazard, other serious injuries or damage the cart.

WARNING
Always unplug cart before moving

Power On

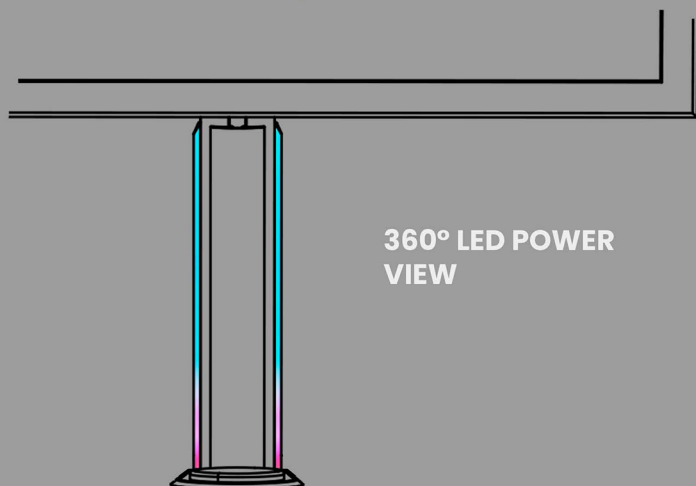


Switch Positioned on Base of PowerSlice
Press button once to turn on cart. To turn off cart press and hold for 5 seconds.



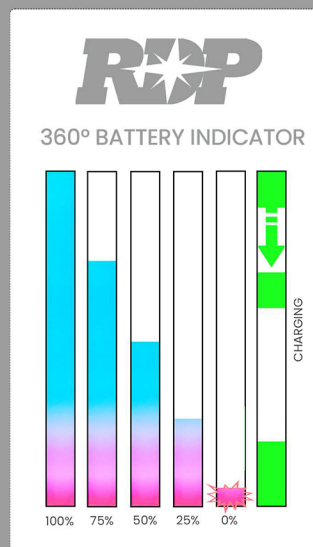
Note: Cart will automatically turn on when plugged in to charge

Power Display

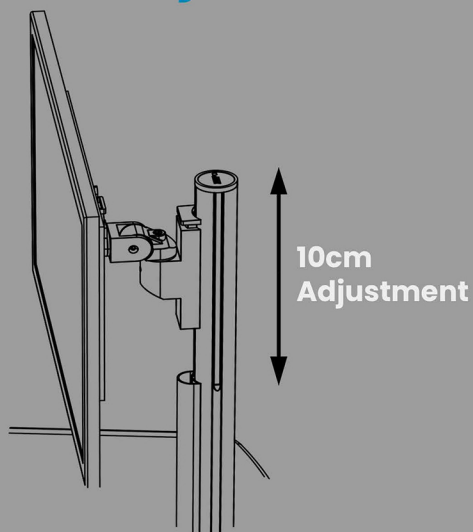


Battery Indication
LED display will illuminate to indicate the battery status of the cart

Plug the cart in when not in use



Monitor Adjustment



Lowering Monitor Height

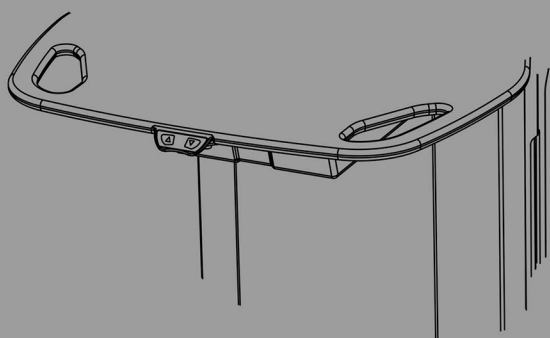
Press top button to slide monitor down



Increasing Monitor Height

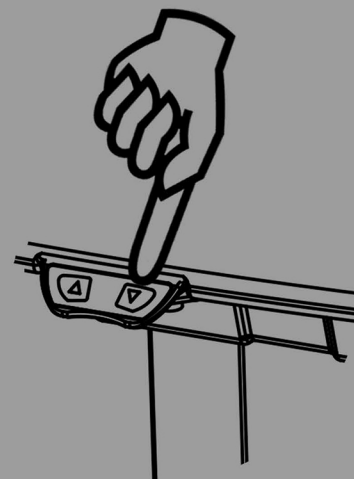
Simply lift the screen/VESA to move upwards

Cart Height Adjustment



Adjust Workstation Height

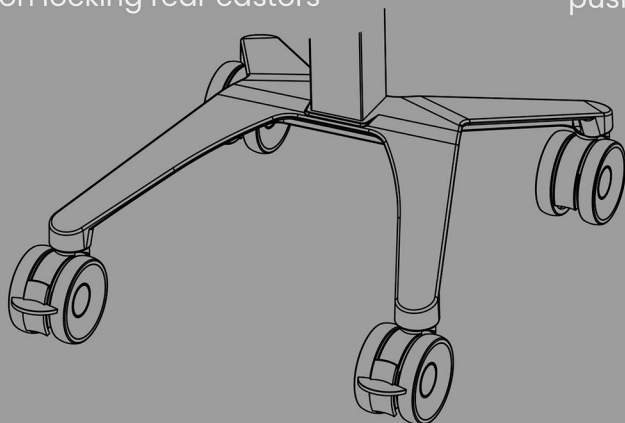
Hold down relevant button to adjust worktop to required height.



Castor Adjustment

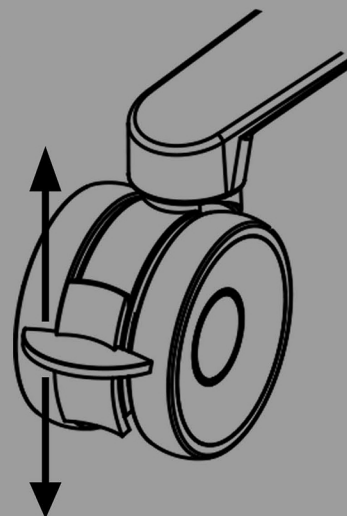
Castors

2x Locking front castors
2x Non locking rear castors



Un-lock

To release the brake push the front lever up on the castor



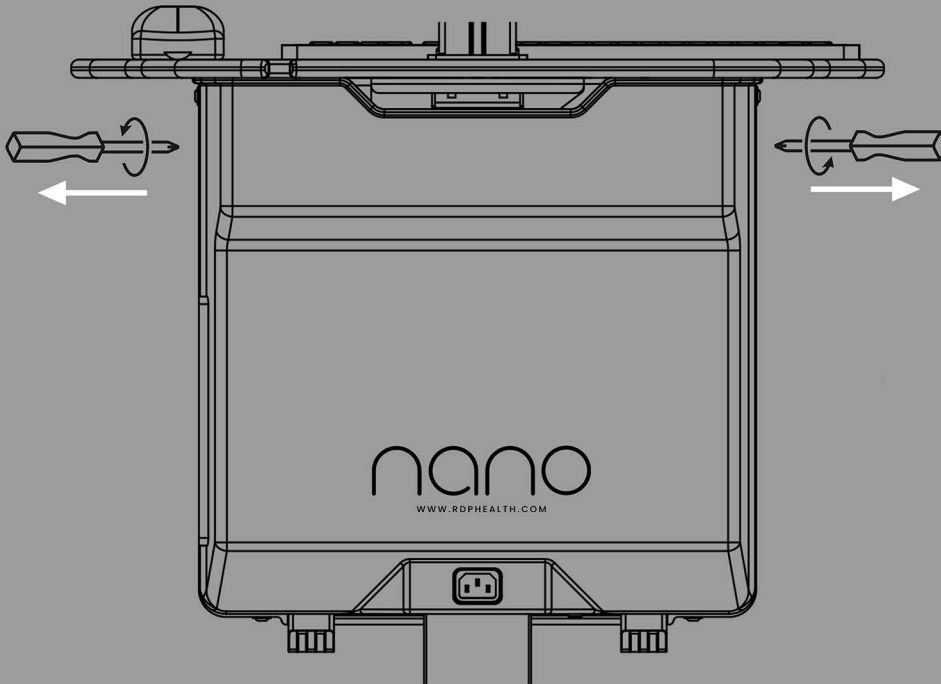
Lock

To lock the castor press brake lever down with foot



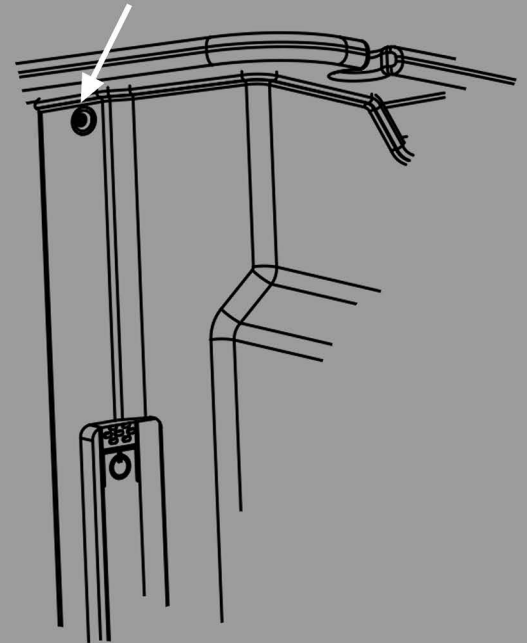
Opening PC Case

To access PC case, remove 2x security screws at either side of case.

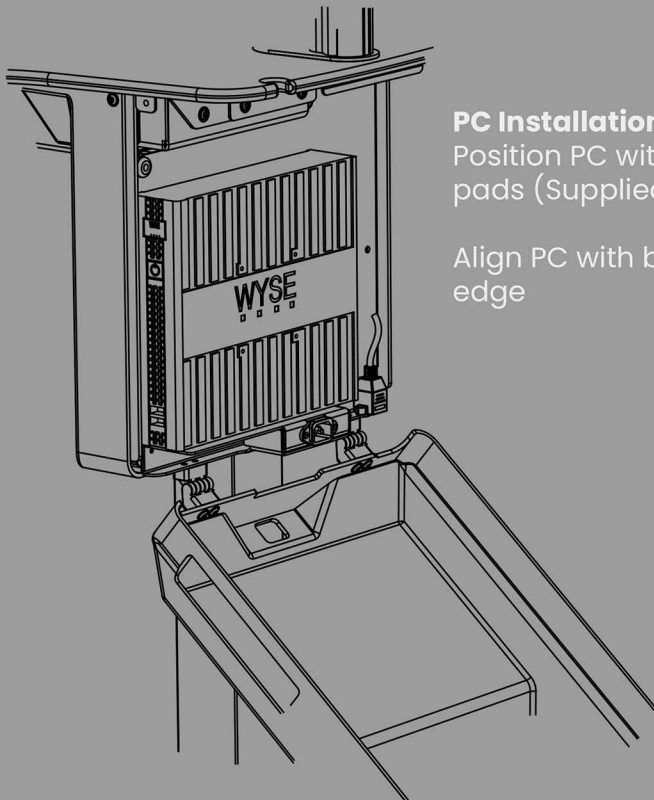


WARNING

Only remove PC case screws as shown:



Installing PC



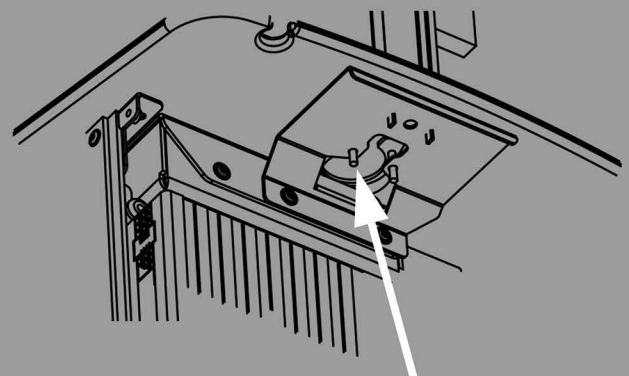
PC Installation

Position PC with velcro pads (Supplied)

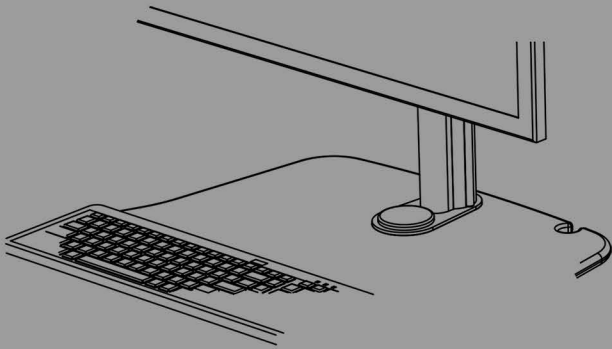
Align PC with bracket edge

Monitor Cables

Can be passed through hole provided in worktop after removing grommet



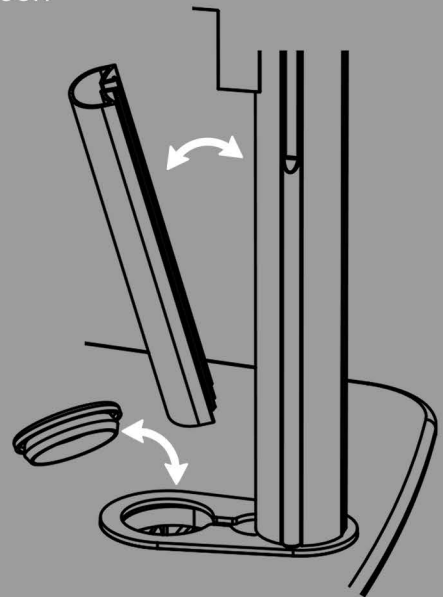
Cable Management



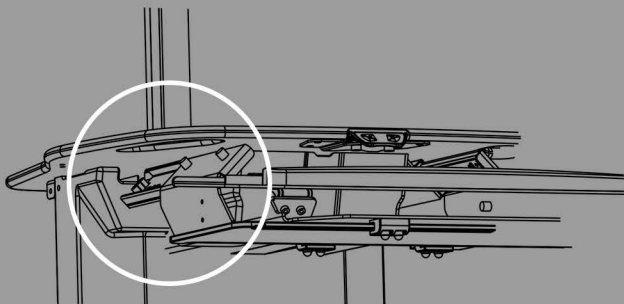
Monitor Cables Continued

Remove grommet & cable chase on screen post.

Run cables and replace grommet & cable chase



Optional Pull Out Keyboard Cable Management



Keyboard Cables

Keyboard and mouse cables feed through channel provided

FRONT



BACK

