



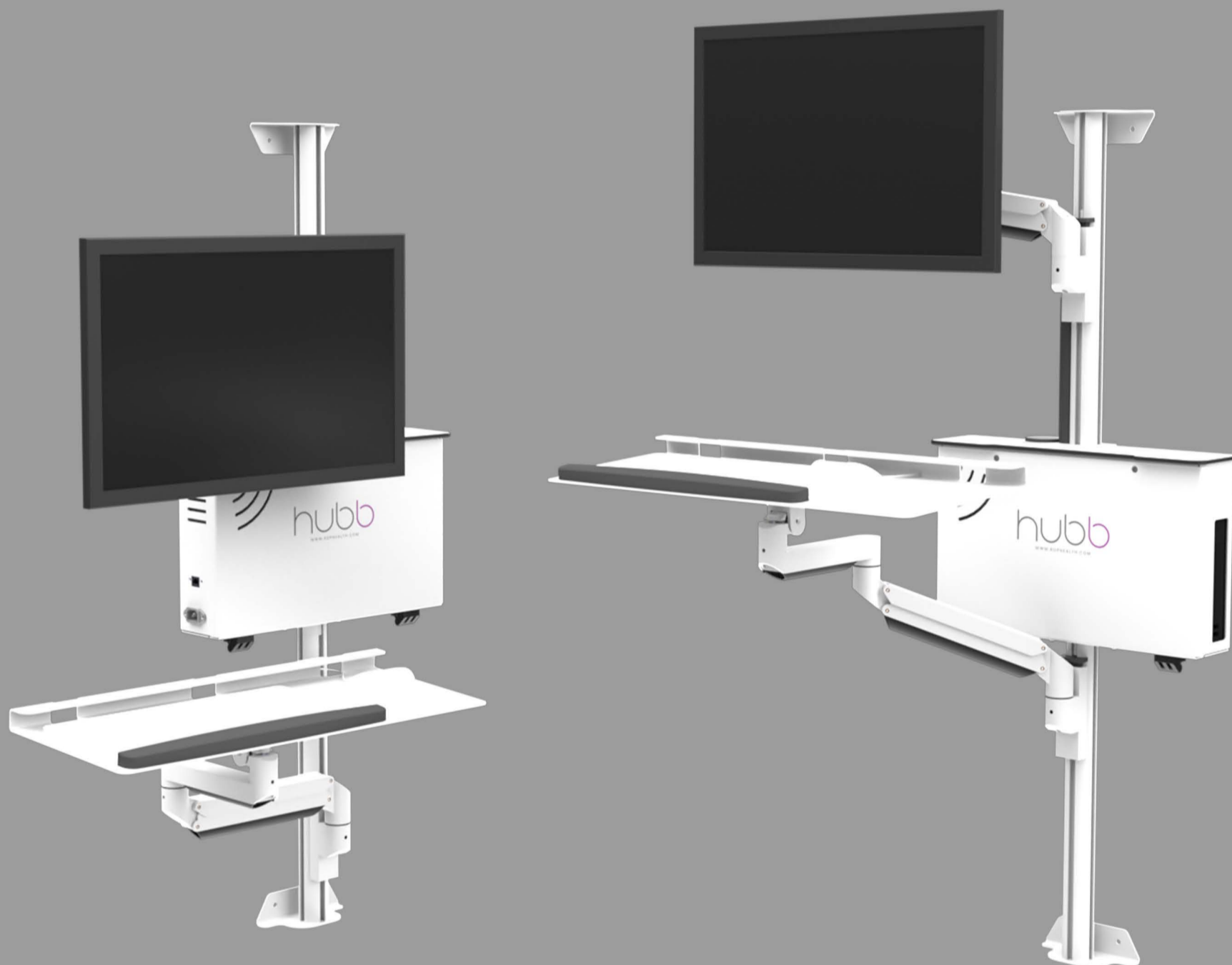
**Height adjustment**  
Effortless sit to stand  
keyboard & monitor  
adjustment



**Modular Design**  
Designed to incorporate  
a full range of peripheral  
accessories



**Adjustable**  
Full monitor and  
keyboard adjustment



**Easy clean**  
Designed to be Infection  
control friendly and  
easy to clean

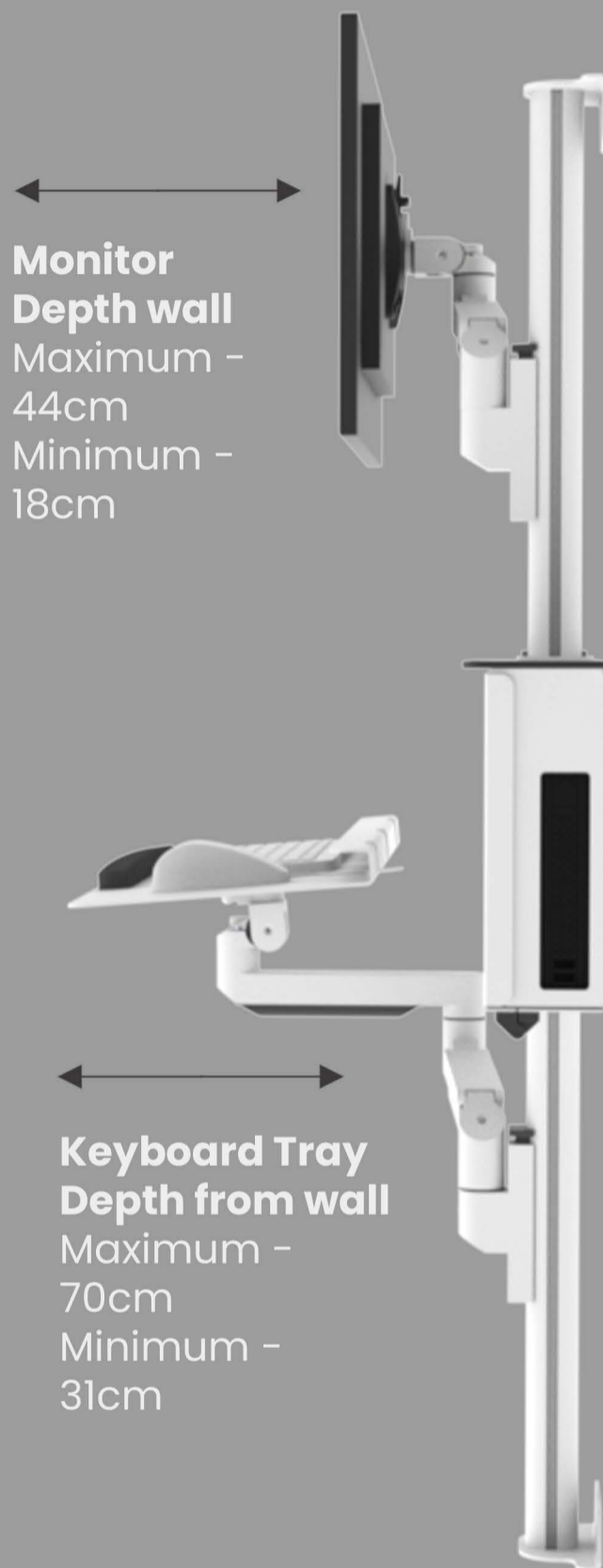
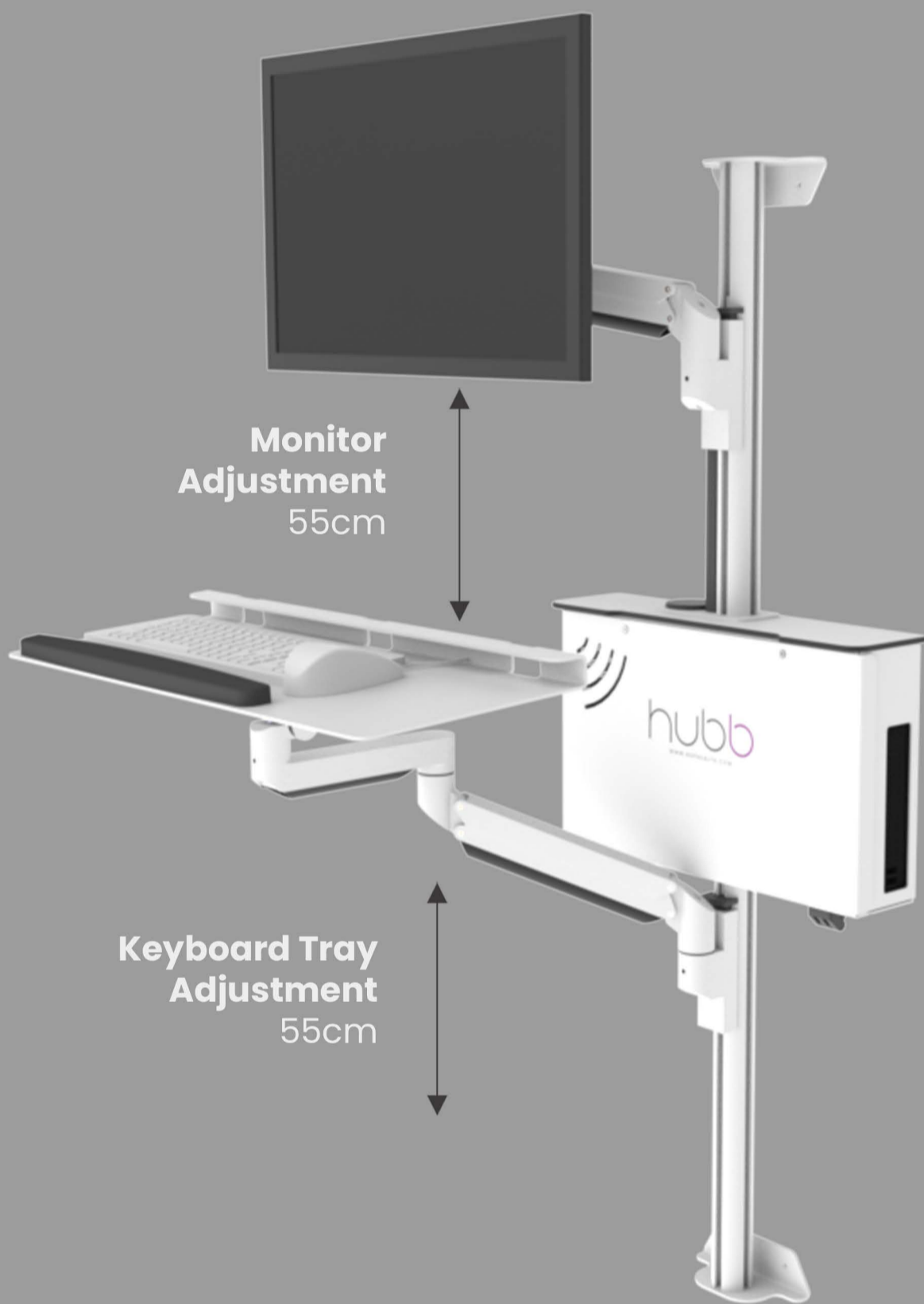


**Aluminium Construction**  
Strong and lightweight materials  
for strength,  
stability and usability



**5 year warranty**  
Unrivalled no quibble  
warranty, supported by our  
in-house service team

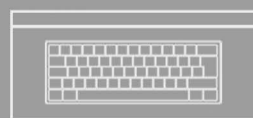




**Ergonomic**  
Fully adjustable to provide optimum user comfort and well-being



**Adjustable Monitor**  
Fully articulating and height adjustable VESA head



**Keyboard Tray Footprint**  
(D)25cm x (W)60cm



**Maximum Monitor Weight**  
10kg

